

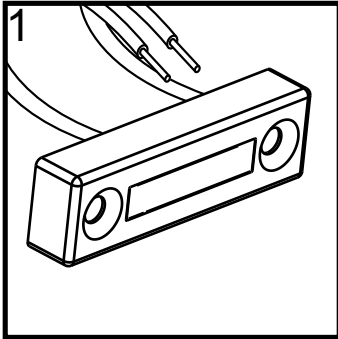


Installation Instructions FortressAccents LED Universal Light

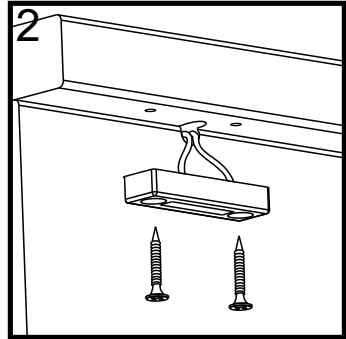
It is the responsibility of the installer to meet all code and safety requirements. The installer should determine and implement the appropriate installation techniques for each situation. The Fortress Company or its distributors shall not be held liable for improper or unsafe installations.

WARNING – Risk of Electric Shock. Install all luminaires 10 feet (3.05 m) or more from a pool, spa, or fountain.

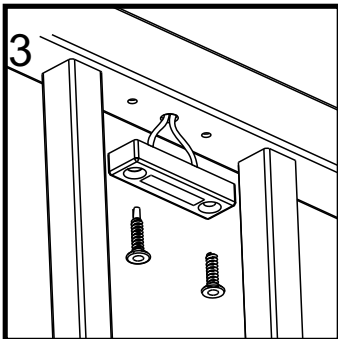
Required Materials: Phillips Head Screw Driver, Wire Cutters, Wire Strippers, Drill, Drill Bits, Phillips Bit, T-25 Bit, Pencil, Eye Protection



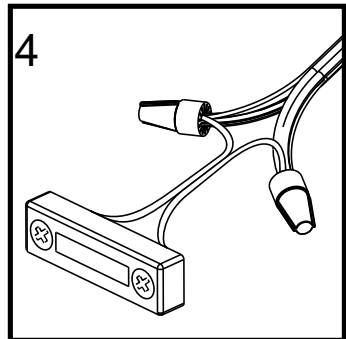
1. Run 18-2 gauge stranded outdoor wire (available from FortressAccents, please visit www.fortressaccents.com for dealer locations) by routing in close proximity to the luminaire or fitting, or next to a building structure such as a house or deck. Wire should not be buried. Place the LED Universal Light in the desired location (LED Universal Light should be placed a minimum of 12" above ground level) with a pencil mark the center points of screw holes. Screw holes are 1-3/4" on center.



2. **Wood and Composite Installations** - When installing LED Universal Light on wood or composite surfaces pre-drill screw holes using a 1/16" drill bit. Using a 3/8" drill bit drill a hole to allow for wires to be routed through the surface. Hole must be placed so that the LED Universal Light housing does not pinch wires. Route wires through hole. Attach the LED Universal Light with supplied wood screws.



3. **Metal Installations** - When installing LED Universal Light on metal surfaces pre-drill screw holes using a 5/32" drill bit. Using a 3/8" drill bit drill a hole to allow for wires to be routed through the surface. Hole must be placed so that the LED Universal Light housing does not pinch wires. Route wires through hole. **For some installations, railing must be disassembled to route wires through railing.** Attach the LED Universal Light with supplied metal screws.



4. Strip the insulation back 1/2" from the 18-2 gauge wires and the LED Universal Light feed wires. Using the supplied waterproof wire nuts connect the wires. **Note:** Polarity must be maintained. Always connect the same side of 18-2 gauge wire with the same polarity (i.e. positive) marked on the LED Universal Light wires.

Please visit www.fortressaccents.com for information on how to order additional accessories.

For technical assistance, please email: technicalhelp@fortressrailing.com

Hours of Operation Monday through Friday 8:00 AM to 5:00 PM CST

Phone: 1-866-323-4766 Fax: 972-644-3720

www.fortressaccents.com