



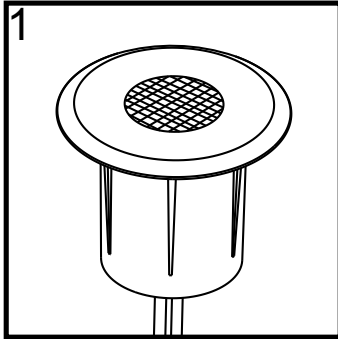
Installation Instructions FortressAccents LED Surface Mount Light

It is the responsibility of the installer to meet all code and safety requirements. The installer should determine and implement the appropriate installation techniques for each situation. The Fortress Company or its distributors shall not be held liable for improper or unsafe installations.

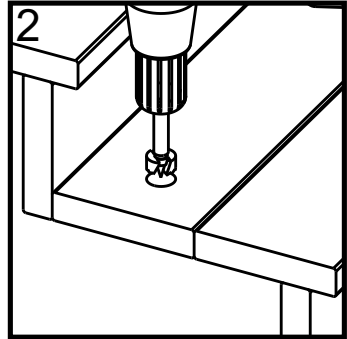
WARNING – Risk of Electric Shock. Install all luminaires 10 feet (3.05 m) or more from a pool, spa, or fountain.

Required Materials: 1" Forstner Bit, Drill, Wire Cutters, Wire Strippers, Rubber Mallet, Pencil, Eye Protection

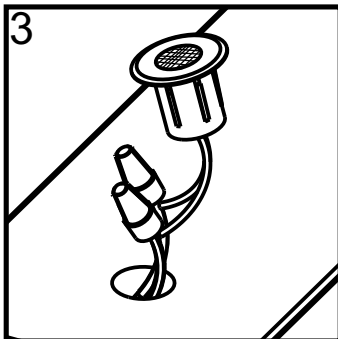
Installation of LED Surface Mount Light on surfaces with excessive foot traffic is not recommended.



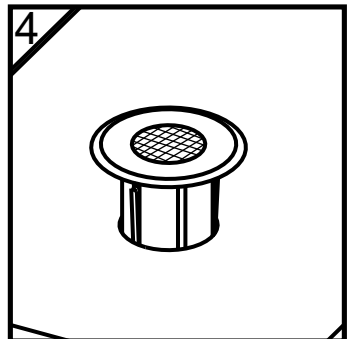
1. Run 18-2 gauge stranded outdoor wire (available from FortressAccents, please visit www.fortressaccents.com for dealer locations) by routing in close proximity to the luminaire or fitting, or next to a building structure such as a house or deck. Wire should not be buried. Place the LED Surface Mount Light in the desired location (LED Surface Mount Light should be placed a minimum of 12" above ground level) with a pencil mark the center point.



2. Drill a 1" hole (Fortress recommends using a 1" Forstner bit available from FortressAccents, please visit www.fortressaccents.com for dealer locations) at the desired location. Avoid locations that fall directly above stringers or other structural elements of the deck and wiring.



3. Strip the insulation back 1/2" from the 18-2 gauge wires and the LED Surface Mount Light LED feed wires. Using the supplied waterproof wire nuts connect the wires. Note: Polarity must be maintained. Always connect the same side of 18-2 gauge wire with the same polarity (i.e. positive) marked on the LED Surface Mount Light wires. LED Surface Mount Light feed wires are 60" long.



4. Feed wires through 1" hole. Insert LED Surface Mount Light into hole. Using a rubber mallet tap the light into the hole until the LED Surface Mount Light flange is flush with the deck surface.

Please visit www.fortressaccents.com for information on how to order additional accessories.

For technical assistance, please email: technicalhelp@fortressrailing.com
Hours of Operation Monday through Friday 8:00 AM to 5:00 PM CST
Phone: 1-866-323-4766 Fax: 972-644-3720
www.fortressaccents.com